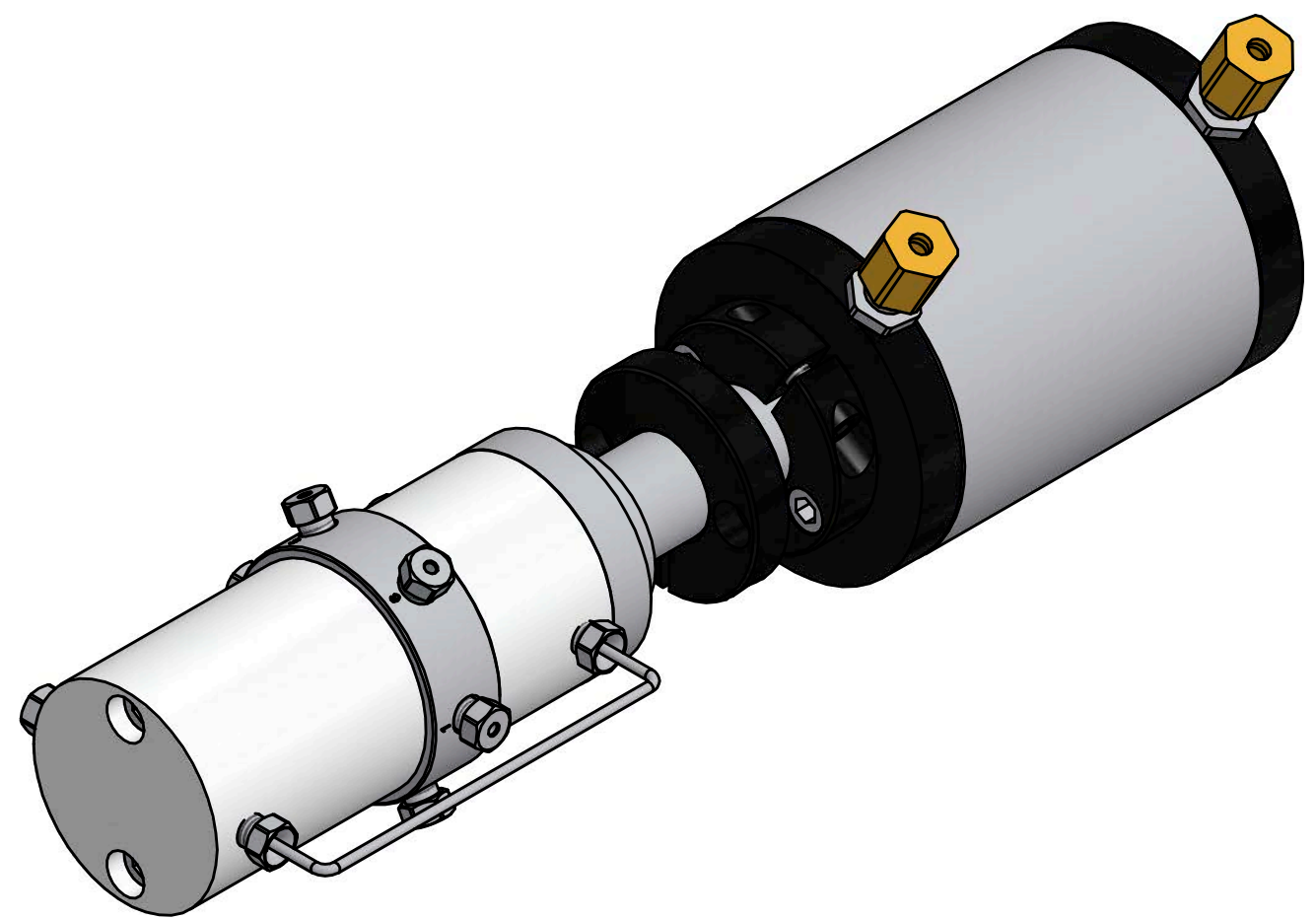
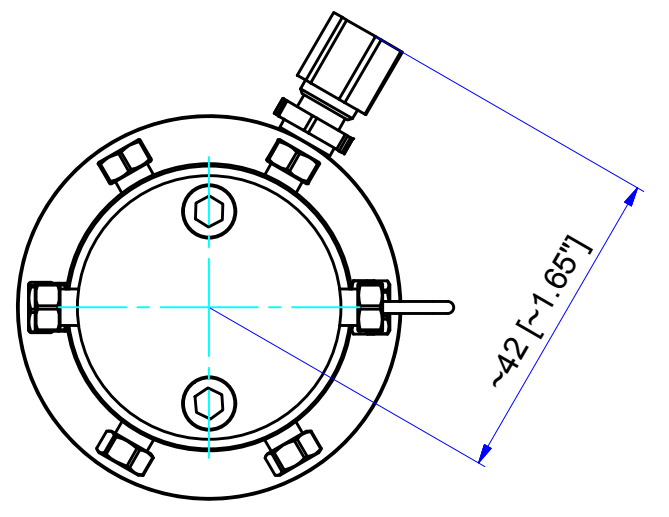
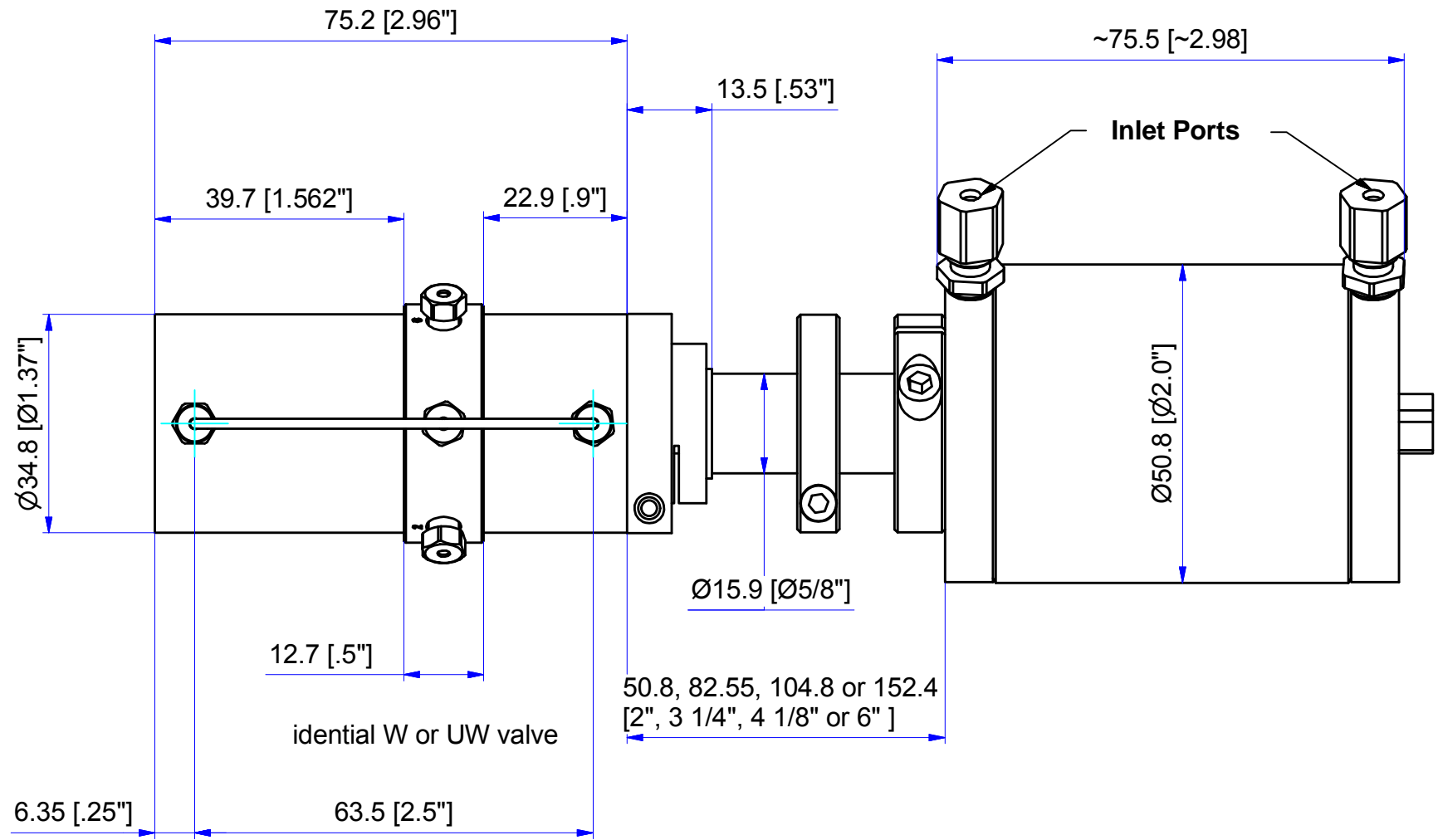


Dimension in mm [Inch]

THIS DOCUMENT AND THE INFORMATION WHICH IT CONTAINS SHALL NOT BE USED, EXPLOITED OR SOLD, AND SHALL NOT BE REVEALED OR DISCLOSED TO OTHERS WITHOUT THE EXPRESS WRITTEN PERMISSION OF VICI. THIS DOCUMENT SHALL REMAIN THE PROPERTY OF VICI AND SHALL BE RETURNED UPON DEMAND.		Material MATERIAL		Dimensionen DIMENSIONS	
Aenderungen: MODIFICATIONS:		Projektion PROJECTION		Allgemein Toleranzen GENERAL TOLERANCES	
PART NO.:				SN EN 22768-1/ ISO 2768	
<b>Purge housing with W &amp; UW valve, air actuated</b> General dimensions		Masstab SCALE	Gezeichnet DRAWN	28.01.2013	F.P.
			Geprüft / Freigabe CHECKED/ RELEASE	28.01.2013	FCo
			CAD Nr. CAD NO.	506402.idw	
Unterverz.: SUB DIREC.:		KUNDE			
Zeichnungs Nr. / DRAWING NO.		3 - GE - 5064.02			
VICI AG International, CH-6214 Schenkon					



Dimension in mm [Inch]

THIS DOCUMENT AND THE INFORMATION WHICH IT CONTAINS SHALL NOT BE USED, EXPLOITED OR SOLD, AND SHALL NOT BE REVEALED OR DISCLOSED TO OTHERS WITHOUT THE EXPRESS WRITTEN PERMISSION OF VICI. THIS DOCUMENT SHALL REMAIN THE PROPERTY OF VICI AND SHALL BE RETURNED UPON DEMAND.		Material MATERIAL	Dimensionen DIMENSIONS
Aenderungen: MODIFICATIONS:		Projektion PROJECTION	Allgemein Toleranzen GENERAL TOLERANCES
PART NO.:			SN EN 22768-1/ ISO 2768
<b>Purge housing with W &amp; UW valve, air actuated</b>		Masstab SCALE	Gezeichnet DRAWN
		1:1	28.01.2013 F.P.
General dimensions		Geprüft / Freigabe CHECKED/ RELEASE	28.01.2013 FCo
		CAD Nr. CAD NO.	506402.idw
Unterverz.: SUB DIREC.:		KUNDE	
Zeichnungs Nr. / DRAWING NO.		3 - GE - 5064.02	
VICI AG International, CH-6214 Schenkon			