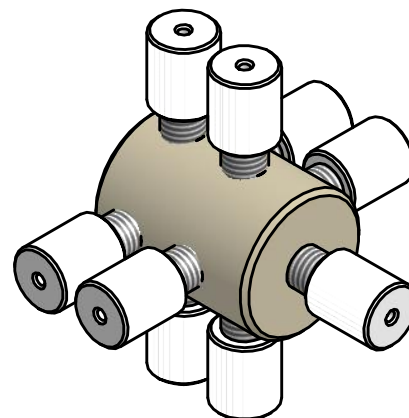


Dimension in mm [Inch]



Tubing OD	Bore	PEEK Part#	CTFE Part#
1/16"	Ø 0.75 [Ø 0.03"]	C9M1PK	C9M1KF
1/8"	Ø 1.50 [Ø 0.06"]	C9M2PK	C9M2KF

THIS DOCUMENT AND THE INFORMATION WHICH IT CONTAINS SHALL NOT BE USED, EXPLOITED OR SOLD, AND SHALL NOT BE REVEALED OR DISCLOSED TO OTHERS WITHOUT THE EXPRESS WRITTEN PERMISSION OF VICI. THIS DOCUMENT SHALL REMAIN THE PROPERTY OF VICI AND SHALL BE RETURNED UPON DEMAND.

Material
MATERIAL

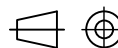
Dimensionen
DIMENSIONS

Aenderungen:
MODIFICATIONS:

Projektion
PROJECTION

Allgemein Toleranzen
GENERAL TOLERANCES

PART NO.:



SN EN 22768-1/ ISO 2768

Low pressure manifolds 9 ports with 1/4-28 fittings

General dimensions

Masstab
SCALE

Gezeichnet
DRAWN

19.01.2009

F.P.

1:1

Geprüft / Freigabe
CHECKED/ RELEASE

19.01.2009

FCo

CAD Nr.
CAD NO.

506346.idw

Unterverz.:
SUB DIREC.:

KUNDE

Zeichnungs Nr. / DRAWING NO.

4 - GE - 5063.46

VICI[®]

VICI AG International, CH-6214 Schenkon