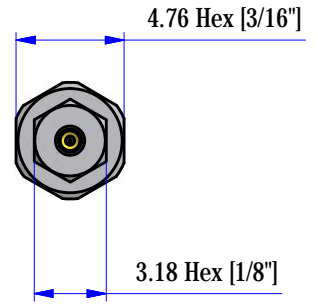
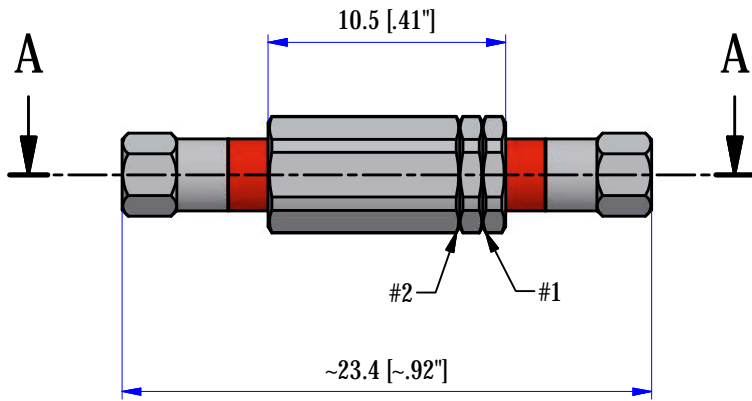
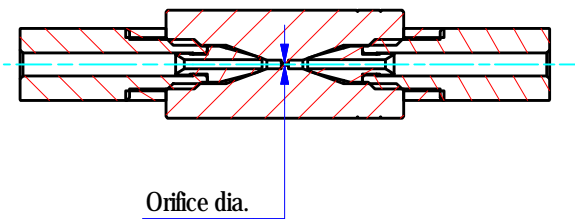


Dimension in mm [Inch]



A-A



Through hole identification grooves

Ø0.05 [Ø.002"] = Groove #1

Ø0.10 [Ø.004"] = Groove #1 & #2

Ø0.15 [Ø.006"] = no Groove

Assy PN:	Body PN:	Orifice dia.:
C360UFS2	C360US62X	0.05 [.002"]
C360UFS4	C360US64X	0.10 [.004"]
C360UFS6	C360US66X	0.15 [.006"]

Union	Material symbol	Material	Orifice symbol	Orifice dia.	excl. Nuts & Femules
C360U	S6	316SS 3/16 Hex.	2	Ø0.05 [Ø.002"]	X
			4	Ø0.10 [Ø.004"]	
			6	Ø0.15 [Ø.006"]	

BODY PART NO. points to the Orifice symbol column.

THIS DOCUMENT AND THE INFORMATION WHICH IT CONTAINS SHALL NOT BE USED, EXPLOITED OR SOLD, AND SHALL NOT BE REVEALED OR DISCLOSED TO OTHERS WITHOUT THE EXPRESS WRITTEN PERMISSION OF VICI. THIS DOCUMENT SHALL REMAIN THE PROPERTY OF VICI AND SHALL BE RETURNED UPON DEMAND.

Material MATERIAL	Dimensionen DIMENSIONS
Projektion PROJECTION	Allgemein Toleranzen GENERAL TOLERANCES
	SN EN 22768-1/ ISO 2768

Aenderungen:
MODIFICATIONS:

PART NO.:
C360UFS*

Union for 360 µm tubing

General dimensions

Masstab SCALE 3:1	Gezeichnet DRAWN	07.08.2014	F.P.
	Geprüft / Freigabe CHECKED/ RELEASE	07.08.2014	FCo
	CAD Nr. CAD NO.	506416.idw	

Unterverz.:
SUB DIREC.: KUNDE

Zeichnungs Nr. / DRAWING NO.



VICI AG International, CH-6214 Schenkon

4 - GE - 5064.16