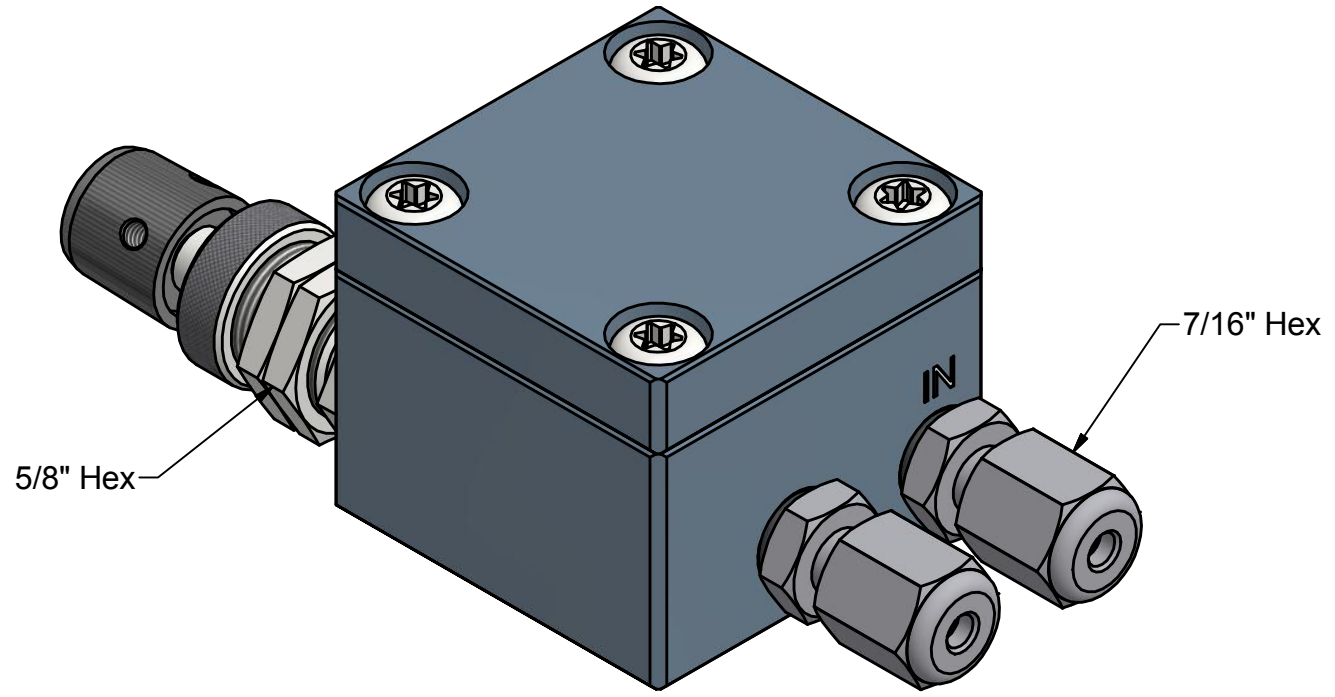


SHOWN FC10AV2K



Dimension in mm [Inch]

THIS DOCUMENT AND THE INFORMATION WHICH IT CONTAINS SHALL NOT BE USED, EXPLOITED OR SOLD, AND SHALL NOT BE REVEALED OR DISCLOSED TO OTHERS WITHOUT THE EXPRESS WRITTEN PERMISSION OF VICI. THIS DOCUMENT SHALL REMAIN THE PROPERTY OF VICI AND SHALL BE RETURNED UPON DEMAND.				Material MATERIAL		Dimensionen DIMENSIONS	
Änderungen: MODIFICATIONS:				Projektion PROJECTION		Allgemein Toleranzen GENERAL TOLERANCES	
PART NO.: FC10*						SN EN 22768-1/ ISO 2768	
Gas flow controller Model 100 General dimensions				Masstab SCALE	Gezeichnet DRAWN	21.01.2013	F.P.
				1.5:1	Geprüft / Freigabe CHECKED/ RELEASE	21.01.2013	FCo
				CAD Nr. CAD NO.		506401.idw	
				Unterverz.: SUB DIREC.:		KUNDE	
				Zeichnungs Nr. / DRAWING NO.		3 - GE - 5064.01	
VICI AG International, CH-6214 Schenkon							