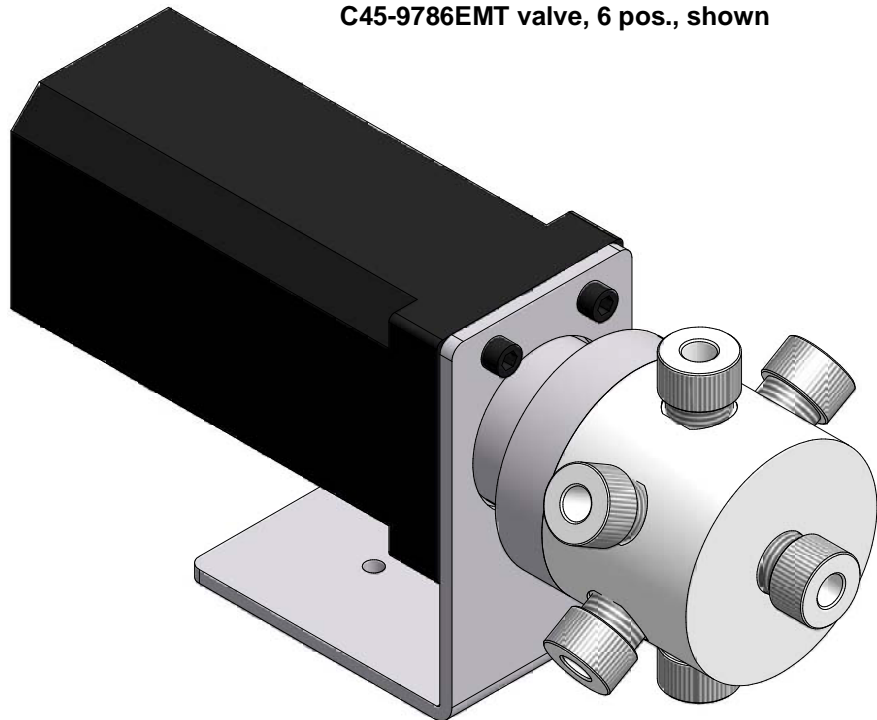


**C45-9786EMT valve, 6 pos., shown**



1/2-20 UNF threaded fitting details for use with 1/4" OD tubing.

**Dimension in mm [Inch]**

Part#	Description	Bore		X		Y		L	
		mm	Inch	mm	Inch	mm	Inch	mm	Inch
C45-9784EMT	Valve-plug, 4 pos.	Ø4.57	Ø0.18"	Ø37.85	Ø1.49"	~63	~2.48"	40.8	1.605"
C45-9786EMT	Valve-plug, 6 pos.	Ø4.57	Ø0.18"	Ø50.55	Ø1.99"	~75.5	~2.97"	50.4	1.985"
C45-9788EMT	Valve-plug, 8 pos.	Ø3.05	Ø0.12"	Ø50.55	Ø1.99"	~75.5	~2.97"	50.4	1.985"

<p>THIS DOCUMENT AND THE INFORMATION WHICH IT CONTAINS SHALL NOT BE USED, EXPLOITED OR SOLD, AND SHALL NOT BE REVEALED OR DISCLOSED TO OTHERS WITHOUT THE EXPRESS WRITTEN PERMISSION OF VICI. THIS DOCUMENT SHALL REMAIN THE PROPERTY OF VICI AND SHALL BE RETURNED UPON DEMAND.</p>		Material MATERIAL	Dimensionen DIMENSIONS
<p>Aenderungen: MODIFICATIONS: a) 29.09.05 FP #475, Redrawn in Inventor</p>		Projektion PROJECTION	Allgemein Toleranzen GENERAL TOLERANCES
<p>PART NO.:</p>			<p>SN EN 22768-1/ISO 2768</p>
<p><b>C45 Valve, 1/2-20 UNF Micro electric actuator</b></p>		Masstab SCALE	Gezeichnet DRAWN
<p>General dimensions</p>		1:1	12.11.2004 F.P.
<p>VICI®</p>		Geprüft / Freigabe CHECKED/RELEASE	30.09.2005 FCo
<p>VICI AG International, CH-6214 Schenkon</p>		CAD Nr. CAD NO.	506045.idw
<p>Unterverz.: SUB DIREC.: KUNDE</p>		<p>Zeichnungs Nr. / DRAWING NO.</p>	
<p>3 - GE - 5060.45 a</p>			