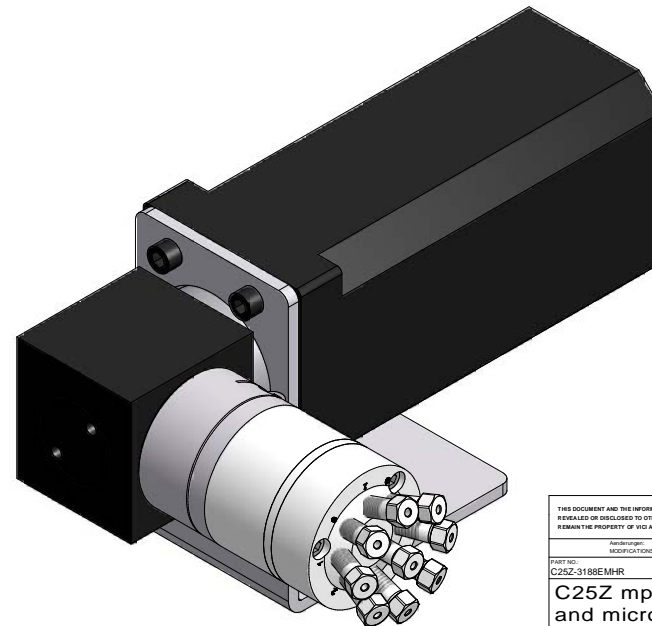
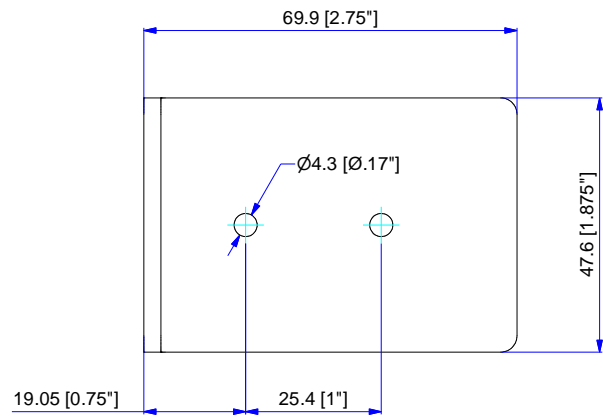


Dimension in mm [Inch]



THIS DOCUMENT AND THE INFORMATION WHICH IT CONTAINS SHALL NOT BE USED, EXPLOITED OR SOLD, AND SHALL NOT BE REPRODUCED OR DISCLOSED TO OTHERS WITHOUT THE EXPRESS WRITTEN PERMISSION OF VICI. THIS DOCUMENT SHALL REMAIN THE PROPERTY OF VICI AND SHALL BE RETURNED UPON DEMAND.

Änderungen / MODIFICATIONS		Material / DIMENSIONAL MATERIAL	
Proportion / PROPORTION		Alignment Tolerances / GENERAL TOLERANCES	
PART NO.	C25Z-318EMHR	Material	EN EN 22788-1 ISO 2768
SCALE	2:1	Production	07.12.2006 F.C.
Drawn	07.12.2006	CAD No.	506096.idw
General dimensions	KUNDE	Customer	KUNDE
Zustimmung Nr. / DRAWING NO.		1 - GE - 5060.96	

VICI VICI AG International, CH-6214 Schenkon