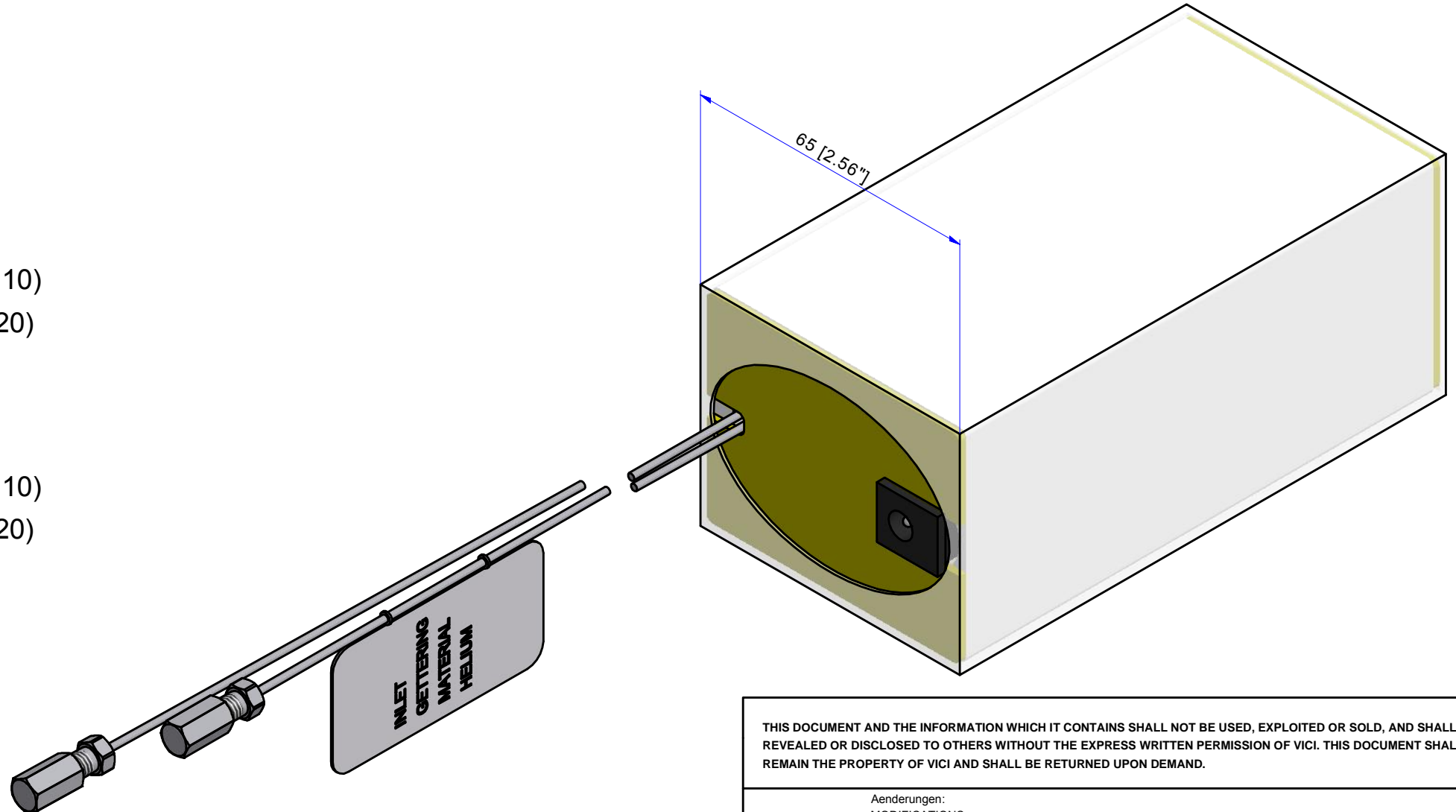


Part# HPM-*
 * = 110 VAC (HPM-110)
 * = 220 VAC (HPM-220)

Part# NPM-*
 * = 110 VAC (NPM-110)
 * = 220 VAC (NPM-220)



THIS DOCUMENT AND THE INFORMATION WHICH IT CONTAINS SHALL NOT BE USED, EXPLOITED OR SOLD, AND SHALL NOT BE REVEALED OR DISCLOSED TO OTHERS WITHOUT THE EXPRESS WRITTEN PERMISSION OF VICI. THIS DOCUMENT SHALL REMAIN THE PROPERTY OF VICI AND SHALL BE RETURNED UPON DEMAND.				Material MATERIAL	Dimensionen DIMENSIONS
Aenderungen: MODIFICATIONS:		Projektion PROJECTION	Allgemein Toleranzen GENERAL TOLERANCES		
PART NO.:			SN EN 22768-1/ ISO 2768		
Helium and nitrogen purifier Mini-version		Masstab SCALE	Gezeichnet DRAWN	20.09.2007	F.P.
		1:1	Geprüft / Freigabe CHECKED/ RELEASE	20.09.2007	FCo
General dimensions		CAD Nr. CAD NO.	506312.idw		
Unterverz.: SUB DIREC.:		KUNDE			
		Zeichnungs Nr. / DRAWING NO.		3 - GE - 5063.12	
VICI AG International, CH-6214 Schenkon					