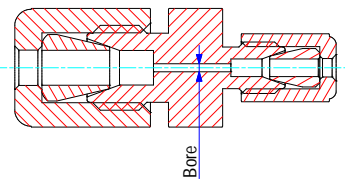
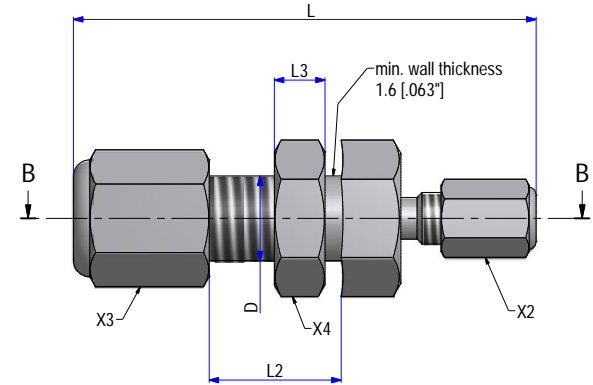
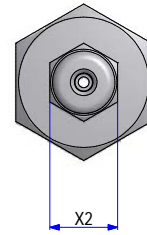


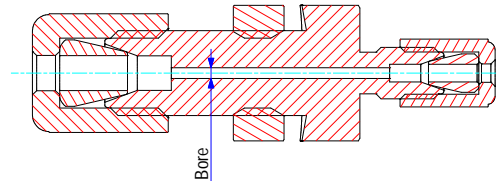
A-A



SHOWN ERU21



B-B



SHOWN EBRU12L

Part#	Description	Bore		L		L2		L3		D		X1	X2	X3	X4
		mm	Inch	mm	Inch	mm	Inch	mm	Inch	mm	Inch				
ERU21	External reducing union 1/8" to 1/16"	Ø0.75	Ø.029"	-30.4	-1.2"							7/16" Hex	1/4" Hex		
ERU21L	External reducing union 1/8" to 1/16"	Ø1.0	Ø.039"	-30.4	-1.2"							7/16" Hex	1/4" Hex		
ERU21T	External reducing union 1/8" to 1/16"	Ø1.65	Ø1/16"	-30.4	-1.2"							7/16" Hex	1/4" Hex		
ERU41	External reducing union 1/4" to 1/16"	Ø0.75	Ø.029"	-33.1	-1.303"							9/16" Hex	1/4" Hex		
ERU41T	External reducing union 1/4" to 1/16"	Ø1.65	Ø1/16"	-33.1	-1.303"							9/16" Hex	1/4" Hex		
ERU42	External reducing union 1/4" to 1/8"	Ø0.75	Ø.029"	-37.1	-1.46"							9/16" Hex	7/16" Hex		
ERU42L	External reducing union 1/4" to 1/8"	Ø2.0	Ø.080"	-37.1	-1.46"							9/16" Hex	7/16" Hex		
ERU42T	External reducing union 1/4" to 1/8"	Ø3.18	Ø1/8"	-37.1	-1.46"							9/16" Hex	7/16" Hex		
EBRU12L	Bulkhead external reducing union 1/8" to 1/16"	Ø1.0	Ø.040"	-43.6	-1.717"	-12.5	-.490"	4.75	.187"	Ø8	Ø.3125"	1/2" Hex	1/4" Hex	7/16" Hex	1/2" Hex
EBRU12T	Bulkhead external reducing union 1/8" to 1/16"	Ø1.65	Ø1/16"	-43.6	-1.717"	-12.5	-.490"	4.75	.187"	Ø8	Ø.3125"	1/2" Hex	1/4" Hex	7/16" Hex	1/2" Hex
EBRU14L	Bulkhead external reducing union 1/4" to 1/16"	Ø1.0	Ø.040"	-47.8	-1.882"	-13.5	-.530"	4.75	.187"	Ø11.1	Ø.4375"	9/16" Hex	1/4" Hex	9/16" Hex	5/8" Hex
EBRU14T	Bulkhead external reducing union 1/4" to 1/16"	Ø1.65	Ø1/16"	-47.8	-1.882"	-13.5	-.530"	4.75	.187"	Ø11.1	Ø.4375"	9/16" Hex	1/4" Hex	9/16" Hex	5/8" Hex
EBRU24L	Bulkhead external reducing union 1/4" to 1/8"	Ø2.0	Ø.080"	-51.1	-2.012"	-13.5	-.530"	4.75	.187"	Ø11.1	Ø.4375"	9/16" Hex	7/16" Hex	9/16" Hex	5/8" Hex

THIS DOCUMENT AND THE INFORMATION WHICH IT CONTAINS SHALL NOT BE USED, EXPLOITED OR SOLD, AND SHALL NOT BE REPRODUCED OR DISCLOSED TO OTHERS WITHOUT THE EXPRESS WRITTEN PERMISSION OF VICI. THIS DOCUMENT SHALL REMAIN THE PROPERTY OF VICI AND SHALL BE RETURNED UPON DEMAND.

Änderungen/Modifikationen: a) 11.12.08 FP #565, chg. dimensions ERU21*, ERU42*, ECN #10713 b) 15.01.09 FP #568, added information

Material: DIMENSIONS

Produktion: 15.01.2009 F.C.O.

General dimensions: KUNDE

Zusatz Nr. / DRAWING NO. 1 - GE - 5060.71 b

VICI VICI AG International, CH-6214 Schenkon

EN 62188-1 ISO 2768