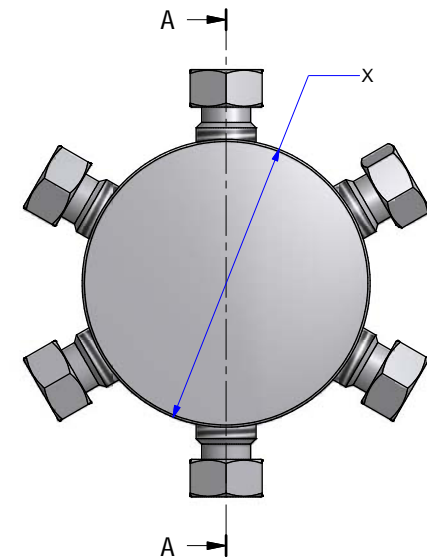
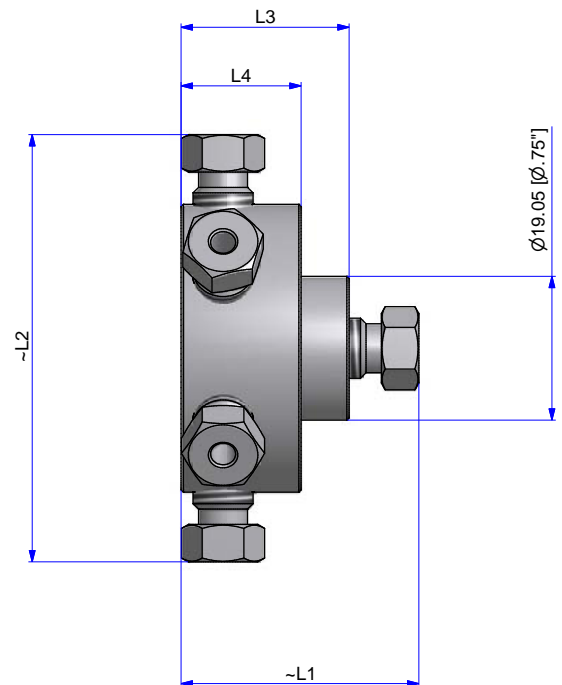
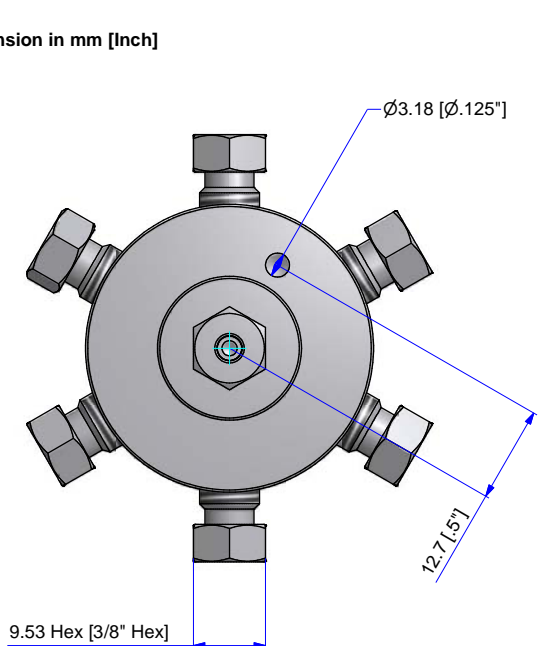
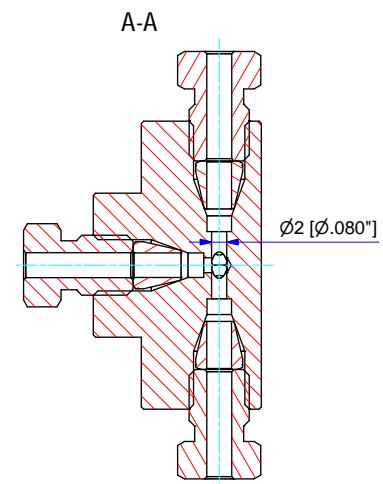


Dimension in mm [Inch]



Shown Z6M2

**Port info:**  
**1/8 ZDVF Detail, Orifice: 2.0 mm [.080"]**



Part#	Description	ØX	L1	L2	L3	L4
Z4M2	Manifold: 1/8", 4 inlets 1 outlet	Ø34.93 [Ø1.375"]	~31.7 [~1.25"]	~54.0 [~2.125"]	22.23 [.875"]	15.88 [.625"]
Z6M2	Manifold: 1/8", 6 inlets 1 outlet	Ø38.1 [Ø1.5"]	~31.7 [~1.25"]	~57.1 [~2.25"]	22.23 [.875"]	15.88 [.625"]
Z8M2	Manifold: 1/8", 8 inlets 1 outlet	Ø38.1 [Ø1.5"]	~31.7 [~1.25"]	~57.1 [~2.25"]	22.23 [.875"]	15.88 [.625"]
Z10M2	Manifold: 1/8", 10 inlets 1 outlet	Ø44.45 [Ø1.75"]	~34.9 [~1.375"]	~63.5 [~2.5"]	25.4 [1.0"]	12.7 [.50"]
Z12M2	Manifold: 1/8", 12 inlets 1 outlet	Ø44.45 [Ø1.75"]	~34.9 [~1.375"]	~63.5 [~2.5"]	25.4 [1.0"]	12.7 [.50"]

THIS DOCUMENT AND THE INFORMATION WHICH IT CONTAINS SHALL NOT BE USED, EXPLOITED OR SOLD, AND SHALL NOT BE REVEALED OR DISCLOSED TO OTHERS WITHOUT THE EXPRESS WRITTEN PERMISSION OF VICI. THIS DOCUMENT SHALL REMAIN THE PROPERTY OF VICI AND SHALL BE RETURNED UPON DEMAND.

Material: MATERIAL  
 Dimension: DIMENSIONS

Projection: PROJECTION  
 General Tolerances: GENERAL TOLERANCES  
 SN EN 22768-1/ISO 2768

Manifolds: 1/8"

Scale: 2:1  
 Date: 19.04.2006  
 Checked/Released: 19.04.2006  
 CAD No.: 506081.idw

General dimensions  
 Userver.: KUNDE  
 SUB DIR.:  
 Zeichnungs Nr. / DRAWING NO.: 2 - GE - 5060.81

VICI® VICI AG International, CH-6214 Schenkon