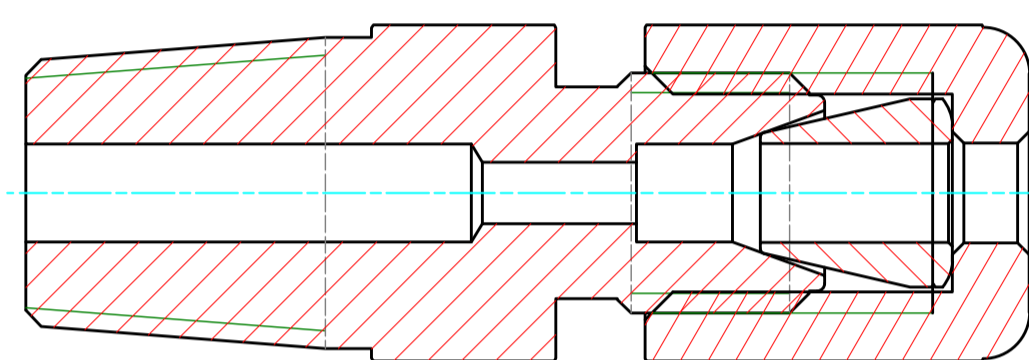
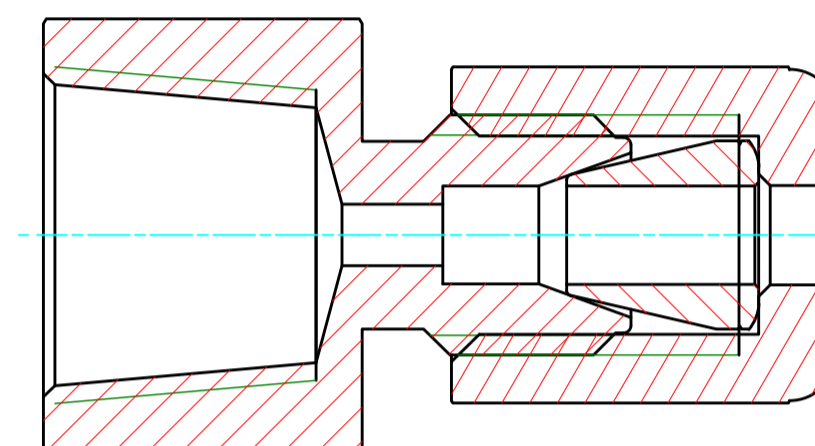


A-A



B-B



**SHOWN PEA22**

**SHOWN FPEA22**

**\* different materials**

Part#	Description	L1		L2		X1	X2	Thread
		mm	Inch	mm	Inch			
PEA22*	1/8" NPT male to 1/8" external fitting	~33.0	~1.31"	12.7	0.50"	7/16" Hex	7/16" Hex	1/8"- NPT
PEA24*	1/8" NPT male to 1/4" external fitting	~37.0	~1.46"	15.24	0.60"	9/16" Hex	7/16" Hex	1/8"- NPT
PEA42*	1/4" NPT male to 1/8" external fitting	~37.5	~1.48"	12.7	0.50"	7/16" Hex	9/16" Hex	1/4"-NPT
PEA44*	1/4" NPT male to 1/4" external fitting	~41.5	~1.63"	15.24	0.60"	9/16" Hex	9/16" Hex	1/4"-NPT
PEA82*	1/2" NPT male to 1/8" external fitting	~48.0	~1.89"	12.7	0.50"	7/16" Hex	7/8" Hex	1/2"-NPT
PEA84*	1/2" NPT male to 1/4" external fitting	~51.5	~2.03"	15.24	0.60"	9/16" Hex	7/8" Hex	1/2"-NPT
FPEA22*	1/8" NPT female to 1/8" external fitting	~26.0	~1.03"	12.7	0.50"	7/16" Hex	9/16" Hex	1/8"- NPT
FPEA24*	1/8" NPT female to 1/4" external fitting	~30.0	~1.18"	15.24	0.975"	9/16" Hex	9/16" Hex	1/8"- NPT
FPEA42*	1/4" NPT female to 1/8" external fitting	~33.0	~1.29"	12.7	0.50"	7/16" Hex	3/4" Hex	1/4"-NPT
FPEA44*	1/4" NPT female to 1/4" external fitting	~36.3	~1.43"	15.24	0.975"	9/16" Hex	3/4" Hex	1/4"-NPT
FPEA82	1/2" NPT female to 1/8" external fitting	~36.0	~1.42"	12.7	0.50"	7/16" Hex	1" Hex	1/2"-NPT
FPEA84*	1/2" NPT female to 1/4" external fitting	~42.5	~1.68"	15.24	0.975"	9/16" Hex	1" Hex	1/2"-NPT

THIS DOCUMENT AND THE INFORMATION WHICH IT CONTAINS SHALL NOT BE USED, EXPLOITED OR SOLD, AND SHALL NOT BE REVEALED OR DISCLOSED TO OTHERS WITHOUT THE EXPRESS WRITTEN PERMISSION OF VICI. THIS DOCUMENT SHALL REMAIN THE PROPERTY OF VICI AND SHALL BE RETURNED UPON DEMAND.

Material: MATERIAL  
Dimensions: DIMENSIONS

Änderungen: a) 10.05.16 FP #998, changed NPT thread length ECN# 21261  
MODIFICATIONS:

PROJEKTION:   
Allgemein-Toleranzen: GENERAL TOLERANCES: SN EN 22768-1 / ISO 2768

Part No.: **Male and female pipe to valco external adapters**  
General dimensions

Scale: 4:1  
Date: 18.09.2007  
Author: F.P.  
Checked: 10.05.2016  
F.Co  
CAD No.: 506311.idw

Unterschied: KUNDE  
Zeichnungs Nr. / DRAWING NO.: 1 - GE - 5063.11 a

**VICI** VICI AG International, CH-6214 Schenkon