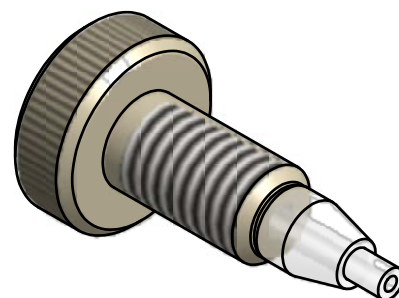
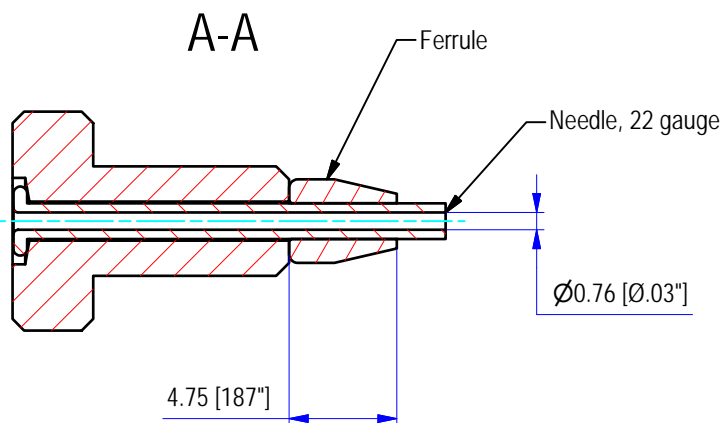


Dimension in mm [Inch]



SHOWN C-VISF-1

Part#	Description	L
C-VISF-1	For fittings and injectors, low pressure, ferrule CTFE	~19 [~.75"]
C-VISF-1H	For injectors, high pressure, ferrule CTFE	~20.5 [~.8"]

THIS DOCUMENT AND THE INFORMATION WHICH IT CONTAINS SHALL NOT BE USED, EXPLOITED OR SOLD, AND SHALL NOT BE REVEALED OR DISCLOSED TO OTHERS WITHOUT THE EXPRESS WRITTEN PERMISSION OF VICI. THIS DOCUMENT SHALL REMAIN THE PROPERTY OF VICI AND SHALL BE RETURNED UPON DEMAND.

Material
MATERIAL

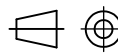
Dimensionen
DIMENSIONS

Aenderungen:
MODIFICATIONS:

Projektion
PROJECTION

Allgemein Toleranzen
GENERAL TOLERANCES

PART NO.:
C-VISF-1*



SN EN 22768-1/ ISO 2768

Syringe fillport ZDV for 1/16"

General dimensions

Masstab
SCALE

3:1

Gezeichnet
DRAWN

09.04.2010

F.P.

Geprüft / Freigabe
CHECKED/ RELEASE

09.04.2010

FCo

CAD Nr.
CAD NO.

506370.idw

Unterverz.:
SUB DIREC.:

KUNDE

Zeichnungs Nr. / DRAWING NO.

4 - GE - 5063.70

VICI[®]

VICI AG International, CH-6214 Schenkon