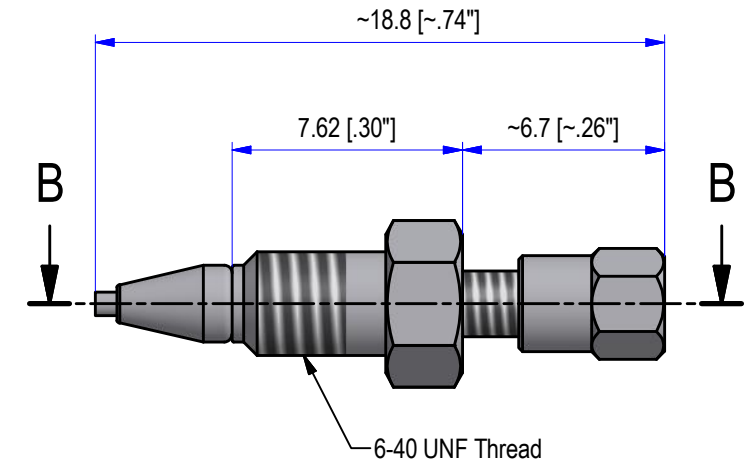
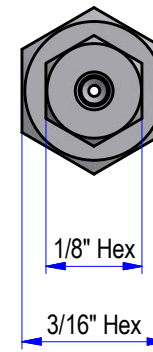
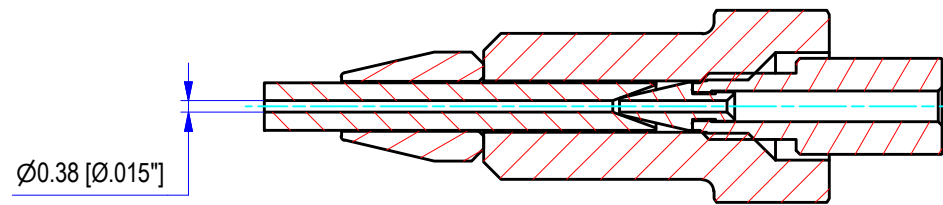


Shown C360IZR1S6

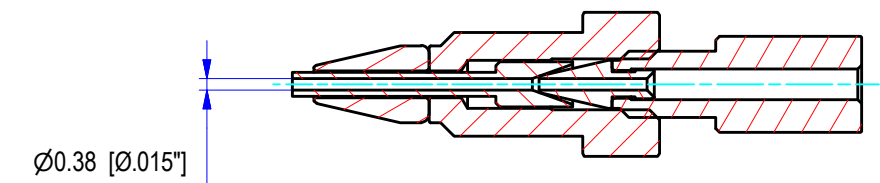


Shown C360IZR.5TS6

A-A



B-B



Tubing OD	Nut / ferrule material	For use with	Prod No
1/32" to 360 µm	Stainless / stainless PEEK / GF* PEEK SS / gold-plated nickel	Metal tubing PEEK tubing Fused silica	C360IZR.5TS6 C360IZR.5TS6PK C360IZR.5TS6FS
1/16" to 360 µm	Stainless / stainless PEEK / GF* PEEK SS / aluminum SS / gold-plated nickel	Metal tubing PEEK tubing Fused silica Fused silica	C360IZR1S6 C360IZR1S6PK C360IZR1S6AL C360IZR1S6FS

THIS DOCUMENT AND THE INFORMATION WHICH IT CONTAINS SHALL NOT BE USED, EXPLOITED OR SOLD, AND SHALL NOT BE REVEALED OR DISCLOSED TO OTHERS WITHOUT THE EXPRESS WRITTEN PERMISSION OF VICI. THIS DOCUMENT SHALL REMAIN THE PROPERTY OF VICI AND SHALL BE RETURNED UPON DEMAND.

Aenderungen:  
MODIFICATIONS:

PART NO.:  
C360IZR\*

**Internal reducers  
for 360 µm tubing**

General dimensions

**VICI** VICI AG International, CH-6214 Schenkon

Material MATERIAL	Dimensionen DIMENSIONS
Projektion PROJECTION	Allgemein Toleranzen GENERAL TOLERANCES SN EN 22768-1/ ISO 2768
Masstab SCALE	Gezeichnet DRAWN
4:1	08.10.2012 F.P.
	Geprüft / Freigabe CHECKED/ RELEASE
	08.10.2012 FCo
	CAD Nr. CAD NO.
	622311.idw
Unterverz.: SUB DIREC.:	FITT
Zeichnungs Nr. / DRAWING NO.	3 - GE - 6223.11