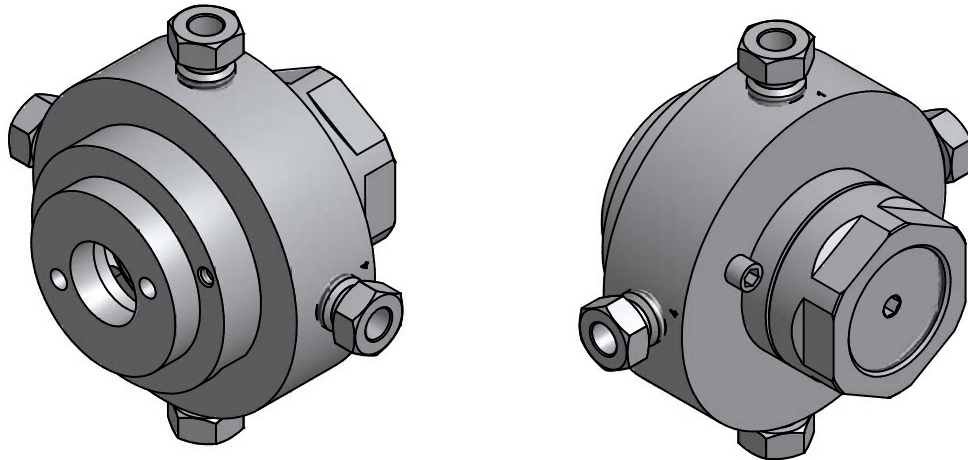


**SHOWN VL4MWE2**



**Dimension in mm [Inch]**

THIS DOCUMENT AND THE INFORMATION WHICH IT CONTAINS SHALL NOT BE USED, EXPLOITED OR SOLD, AND SHALL NOT BE REVEALED OR DISCLOSED TO OTHERS WITHOUT THE EXPRESS WRITTEN PERMISSION OF VICI. THIS DOCUMENT SHALL REMAIN THE PROPERTY OF VICI AND SHALL BE RETURNED UPON DEMAND.				Material MATERIAL		Dimensionen DIMENSIONS	
Änderungen: MODIFICATIONS:				Projektion PROJECTION		Allgemein Toleranzen GENERAL TOLERANCES	
PART NO. VL*MWE2						SN EN 22768-1/ISO 2768	
<b>2 pos. valve</b> <b>4, 6 or 8 port, 1/4" fittings</b>				Masstab SCALE 1:1		Gezeichnet DRAWN 14.07.2008 F.P. Geprüft / Freigabe CHECKED/RELEASE 14.07.2008 FCo CAD Nr. CAD NO. 506337.idw	
General dimensions				Untersverz.: SUB DIREC.: <b>KUNDE</b>			
VICI AG International, CH-6214 Schenkon				Zeichnungs Nr. / DRAWING NO. <b>3 - GE - 5063.37</b>			